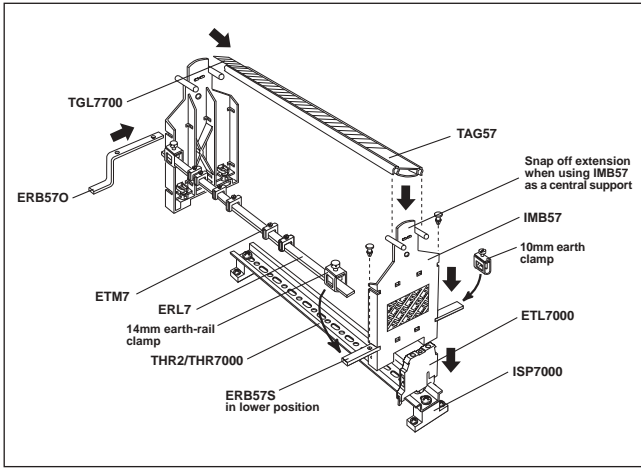


MTL7700 SERIES ACCESSORIES



MOUNTING/EARTHING ACCESSORIES

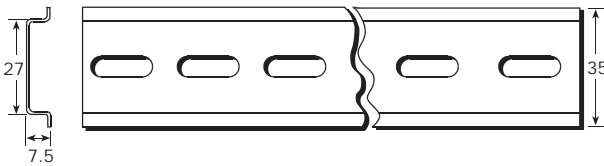
MTL7700 Series barriers mount easily and quickly onto standard DIN rail which also acts as the intrinsically safe earth.

THR2 standard DIN rail

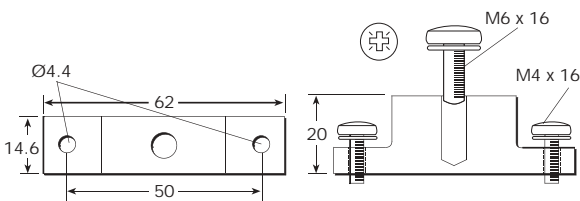
THR7000 plated rail

Specially nickel-plated T-section (35mm x 7.5mm) DIN rail for use in potentially corrosive atmospheres. Supplied in 1 meter lengths.

ISP7000 insulating spacers



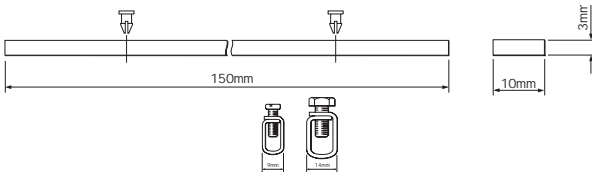
Attached to the base of a DIN rail at either end or at intervals (depending upon DIN rail length) to isolate the IS earth from a structural earth.



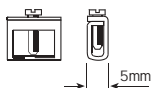
ERB57S Earth-rail bracket, straight

Nickel-plated; supplied with two push fasteners, one 14mm earth-rail clamp and one 10mm earth clamp for cables $\leq 16\text{mm}^2$.

ETM7 earth terminal

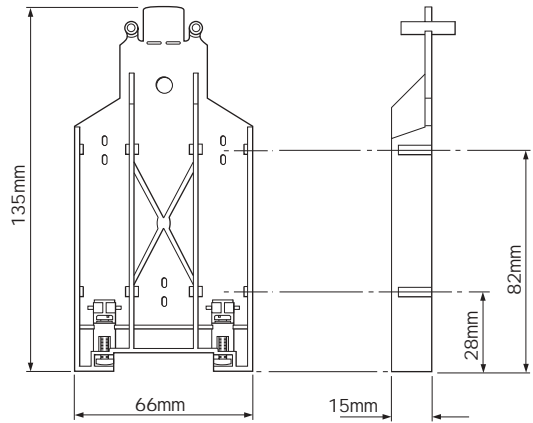


For terminating cable screens and OV earth returns and securing spare cores to the earth rail. A maximum of two ETM7s per barrier can be accommodated.



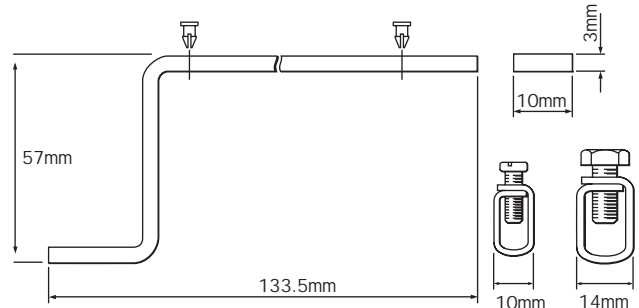
IMB57 Insulating mounting block

One required at each end of a tagging strip/earth rail. Suitable for low-profile (7.5mm) and high-profile (15mm) symmetrical DIN rail.



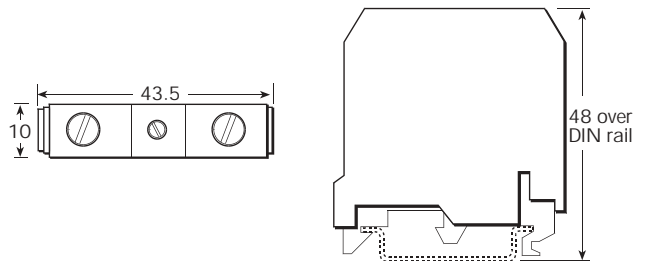
ERB570 Earth-rail bracket, offset

Nickel-plated; supplied with two push fasteners, one 14mm earth-rail clamp and one 10mm earth clamp for cables $\leq 16\text{mm}^2$.



ETL7000 earth terminal

Provides connection for routing the IS earth from the DIN rail to an appropriate plant earth. Maximum cable cross-section is 10mm^2 . Two recommended per discrete length of DIN rail. See instruction manual INM7700 for more details.



BPL7700 Power Bus link

When a number of barriers use a common power supply, the optional power link (BPL7700) can be used. Typical applications include hazardous area switches, solenoids and 4–20mA transmitters. The barriers it can be used with are the MTL7706, MTL7707+, MTL7787+, MTL7787P+, MTL7789P+ and MTL774X. See next page for further details.

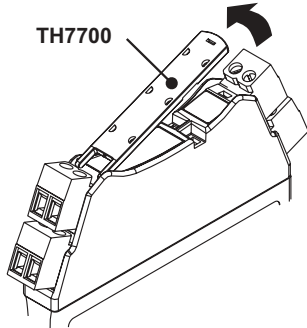


TAGGING ACCESSORIES

Two methods of tagging are available which can be used separately or together:

1) **Individual barrier identification**
TH7700 barrier identifiers

TH7700 barrier identifiers are supplied clipped on to the tops of individual barriers to provide transparent holders for identification labels.



2) **Tagging strip method**
TAG57 Tagging strip, 1m length

Cut to size. Supplied with reversible tagging strip label suitable for either MTL5000 or MTL7000 Series module spacing.

TGL7700 Tagging strip labels, set of 10 x 0.5m
For use with TAG57 tagging strip. Tags are reversible - one side for MTL7700, the other for MTL700.

HOW TO ORDER



MTL7700 barriers

Select by barrier number and polarity,
e.g. MTL7728+

Mounting accessories

THR2	Standard DIN-rail, 35 x 7.5mm
THR7000	T-section DIN-rail, specially-plated, 35 x 7.5mm, 1m length
ISP7000	Insulating spacer

Standard earthing/earth-rail accessories

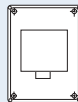
ETL7000	Earth terminal, DIN-rail mounted
IMB57	Insulating mounting block
ERB57S	Earth-rail bracket, straight
ERB57O	Earth-rail bracket, offset
ERL7	Earth rail, 1m length
ETM7	Earth terminal, pack of 50

Standard tagging accessories

TAG57	Tagging strip, 1m length
TGL7700	Tagging strip labels, set of 10 x 0.5m

Bussed power links

BPL7700	Pack of 100
---------	-------------



Enclosures

DX070	Enclosure, for MTL7700 x 5
DX170	Enclosure, for MTL7700 x 13
DX430	Enclosure, for MTL7700 x 33

Spares (all in packs of 10)

SAF7712	Safe-area terminals 1&2
HAZ7734	Hazardous area terminals 3&4
SAF7756	Safe-area terminals 5&6
HAZ7778	Hazardous area terminals 7&8
TH7700	Tag holder



Literature

INM7700	Instruction manual, MTL7700 Series
INM57ENC	Instruction manual, MTL5000/7000 Series Enclosures
CD7700...	Customer drawings

