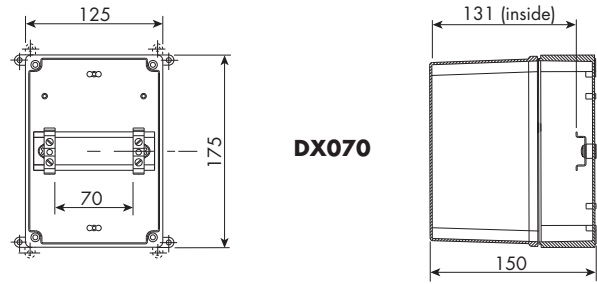
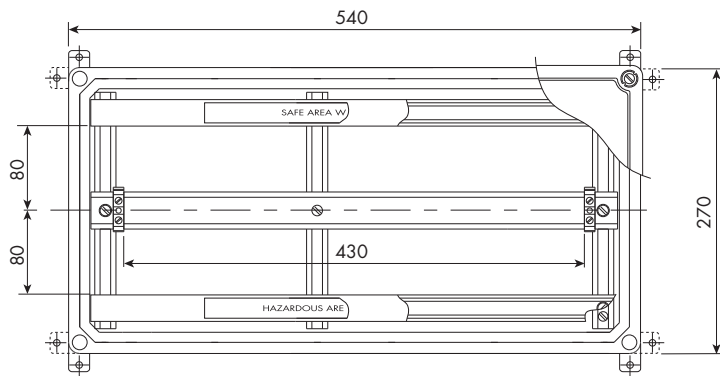


MTL5500 SERIES ENCLOSURES

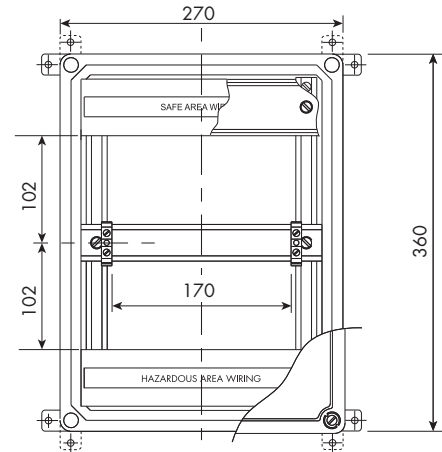
DIMENSIONS (mm) AND MOUNTING



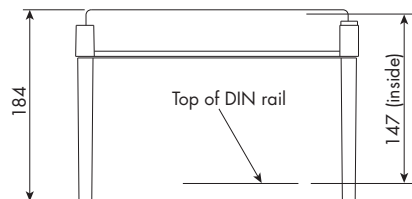
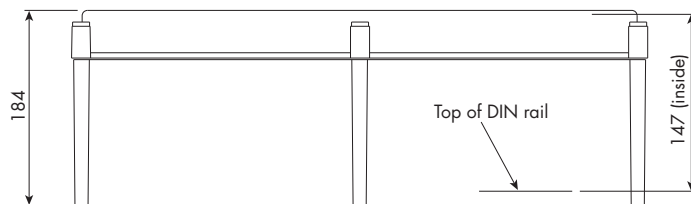
DX070



DX430



DX170



SPECIFICATION

Construction

- Glass reinforced polycarbonate base - DX070
- Glass reinforced polyester base - DX170, DX430
- Transparent polycarbonate lid

Protection

- Dust-tight and water-jet proof to IEC529:IP65

Lid fixing

- Captive fixing screws

Weight (excluding barriers/isolators) kg

- DX070 0.8
- DX170 2.6
- DX430 4.1

Items provided

- DIN rail - fitted
- ETL7000 Earth terminals (2 x) - fitted
- "Take care IS" front adhesive label
- Cable trunking (except DX070)

Note: Isolators are not included.

Mounting

- Wall fixing lugs provided. For further details refer to INM5500.

Tagging and earth rail

- Accommodates MTL5500 Series accessories.

Permitted location

- Safe (non-hazardous) area

Note: N. America/Canada - Enclosures are rated NEMA 4X so can be used in Class 1, Division 2 (gases) location, but check with local requirements and ensure all cable entries also conform. Additional warning label will be required on or near the enclosure, see installation details. Not suitable for Class II or III, Division 2 hazardous locations.

Approximate capacities (on DIN rail between earth terminals)

	Number of MTL5500 isolators	
DX070	4	(2)*
DX170	10	(8)*
DX430	26	(24)*

* Use these figures when IMB57 mounting blocks for tagging/earth are included.

Ambient temperature limits

- Dependent on units fitted. See instruction manual INM5500.

The given data is only intended as a product description and should not be regarded as a legal warranty of properties or guarantee. In the interest of further technical developments, we reserve the right to make design changes.



MTL5000 SERIES ACCESSORIES

MTL5000 Series isolators mount quickly and easily onto standard DIN rail. A comprehensive range of accessories simplifies earthing and tagging arrangements.

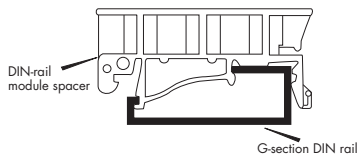
MOUNTING

THR2 DIN rail, 1m length

DIN rail to EN50022; BS5584; DIN46277

MS010 DIN rail module spacer, 10mm, pack of 5

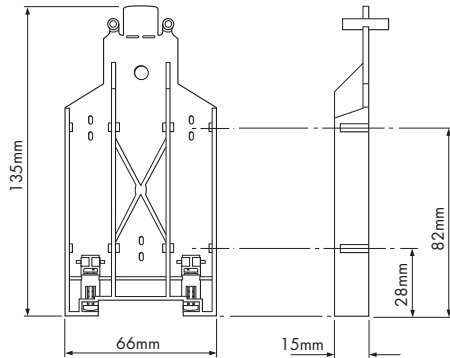
Grey spacer, one required between each MTL5995 and any adjacent module on a DIN rail, to provide 10mm air-circulation space between modules



EARTH RAIL AND TAG STRIP

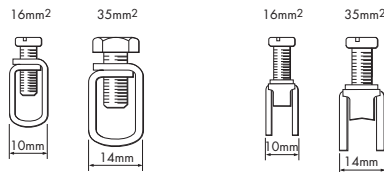
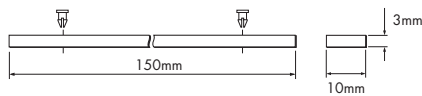
IMB57 Insulating mounting block

One required at each end of a tagging strip/earth rail. Suitable for low-profile (7.5mm) and high-profile (15mm) symmetrical DIN rail.



ERB57S Earth-rail bracket, straight

Nickel-plated; supplied with two push fasteners, one (14mm, 35mm²) earth-rail clamp and one (10mm, 16mm²) earth clamp.

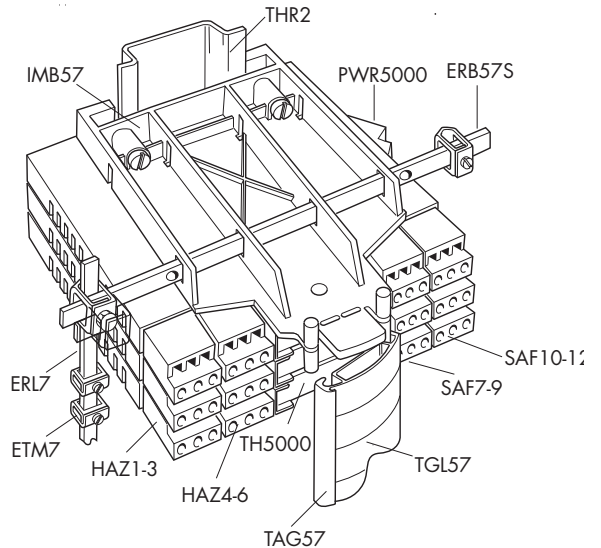


ERL7 Earth rail, 1m length

Nickel-plated; may be cut to length.



MOUNTING DETAILS



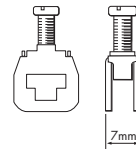
ETM7 Earth terminal, bag of 50

For terminating cable screens and 0V returns on the ERL7 earth rail. For cables ≤ 4mm². Exact dimension dependent on manufacturer.

Type A



Type B



TAG57 Tagging strip, 1m length

Cut to size. Supplied with reversible tagging strip label suitable for MTL5000, MTL5500 or MTL7000 Series module spacing.



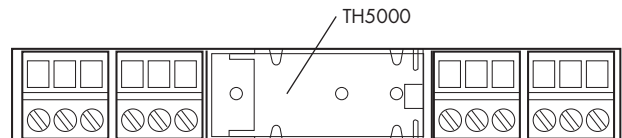
TGL57 Tagging strip labels, set of 10 x 0.5m

Spares replacement, for use with TAG57 tagging strip. Labels are reversible - one side for MTL5000, the other for MTL7000.

INDIVIDUAL ISOLATOR IDENTIFICATION

TH5000 tag holders

Each isolator may be fitted with a clear plastic tag holder, as shown below. Order TH5000, pack of 20.



CONNECTORS

Each MTL5000 unit is supplied with signal and power connectors, as applicable.

Spares replacement connectors are available separately; see ordering information.

**See also
'MTL5500 Series powerbus kits'**

The given data is only intended as a product description and should not be regarded as a legal warranty of properties or guarantee. In the interest of further technical developments, we reserve the right to make design changes.

