



the simple solution
for isolating
IS interface units

MTL5500 SERIES



- ◆ **Compact modular design with DIN rail mounting**
- ◆ **Low cost per channel**
- ◆ **Full input/output/power supply isolation**
- ◆ **Broken line and earth fault protection**
- ◆ **Simple installation and maintenance using plug-in connectors**
- ◆ **High packing density**
- ◆ **No high-integrity earth needed**
- ◆ **Compatible with MTL5000 Series**

MTL5500 Series isolating IS interface units offer a compact and easy-to-use means for communicating safely with process measuring, indicating, actuating and local control equipment in hazardous areas. The range of models handle analogue and binary signals in both directions, amplifying or otherwise conditioning them as required and at the same time providing certified explosion protection for equipment and wiring in all zones and all explosive atmospheres.

The MTL5500 Series modules are versatile yet simple to apply; use the latest technology and yet are well proven. These contrasting attributes stem from the progression of MTL expertise in the design and manufacture of isolators for intrinsic safety and the application of innovative technology to achieve the required separation and segregation of the circuits. The MTL5500 (DIN rail mounting) and MTL4500 (backplane mounting) isolators share a common design and manufacture of the internal electronics, differing only in the mechanical mounting and connection methods.

Key features of the MTL5500 Series are ease of application, high operational integrity and reliability, and low installed cost. Full 3-port isolation between the input, output and power supply circuits eliminates the need to think about relationships to earth, makes system hook-ups easier to arrange, and allows hazardous-area circuits to be left floating or earthed at any one point.

Where space is at a premium, high packing densities are essential. With a unit width of 16mm, and with many units providing multiple channels (and hence a lower cost per channel), the MTL5500 Series takes up a minimum of space – which leaves more for other process control equipment. Where older installations are being updated, there may be a need for more channels – but within the existing space. The MTL5500 Series can provide the answer, fitting extra units and channels into a space formerly occupied by bulkier isolators.

The MTL5500 clips quickly onto DIN rail, so it is compatible with the industry-standard mounting system. Wiring is simplified by plug-in safe- and hazardous-area connectors, and a power plug which accepts a power bus; it all leads to quicker insertion, fewer wiring errors and trouble-free, tidier installations.

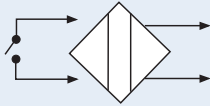
The MTL5500 Series is designed for reliability. It builds on the proven success of the MTL2000, 3000, 4000 and 5000 Series to bring the benefits of new developments in galvanic isolation without compromising the reliability of the designs from which it has evolved. It is designed from the outset to meet all relevant European Directives. Uniform appearance and connectability of the units and a comprehensive range of accessories and enclosures make planning a pleasure for the user.



MTL5500

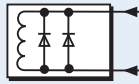
I/O MODULES

by application



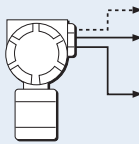
DIGITAL INPUT

Part Number	Functions
MTL5510	4ch DI solid-state output
MTL5510B	4ch DI multifunction solid-state output
MTL5511	1ch DI relay output
MTL5513	2ch DI solid-state output
MTL5514	1ch DI relay output + LFD alarm
MTL5516C	2ch DI with changeover relay output
MTL5517	2ch DI relay output + LFD alarm



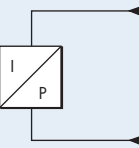
DIGITAL OUTPUT

Part Number	Functions
MTL5521	Loop powered solenoid driver, IIC
MTL5522	Loop powered solenoid driver, IIB
MTL5523	Solenoid driver with LFD
MTL5524	Switch operated solenoid driver
MTL5525	Switch operated solenoid driver low power



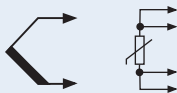
ANALOGUE INPUT

Part Number	Functions
MTL5541	1ch 2/3 wire transmitter repeater
MTL5544	2ch 2/3 wire transmitter repeater



ANALOGUE OUTPUT

Part Number	Functions
MTL5546	1ch 4-20mA smart isolating driver + LFD
MTL5549	2ch 4-20mA smart isolating driver + LFD



TEMPERATURE INPUT

Part Number	Functions
MTL5575	Temperature converter

GENERAL

Part Number	Functions
MTL5599	Dummy isolator



MTL5510 SWITCH/ PROXIMITY DETECTOR INTERFACE

four-channel, digital input

The MTL5510 enables four solid-state outputs in the safe area to be controlled by up to four switches or proximity detectors located in a hazardous area. Each pair of output transistors shares a common terminal and can switch +ve or -ve polarity signals. A range of module configurations is available (see Table 1) through the use of selector switches. When proximity detector modes are selected, LFD is enabled and the output switches to OFF if a line fault is detected.

SPECIFICATION

See also common specification

Number of channels

4, configured by switches

Location of switches

Zone 0, IIC, T6 hazardous area
Div 1, Group A hazardous location

Location of proximity detectors

Zone 0, IIC, T4-6 hazardous area if suitably certified
Div 1, Group A, hazardous location

Hazardous-area inputs

Inputs conforming to BS EN60947-5-6:2001 standards for proximity detectors (NAMUR)

Voltage applied to sensor

7 to 9V dc from 1kΩ ±10%

Input/output characteristics

Normal phase

Outputs closed if input > 2.1mA (< 2kΩ in input circuit)

Outputs open if input < 1.2mA (> 10kΩ in input circuit)

Hysteresis: 200µA (650Ω) nominal

Line fault detection (LFD) (when selected)

User-selectable via switches on the side of the unit.

Open-circuit alarm on if $I_{in} < 50\mu A$

Open-circuit alarm off if $I_{in} > 250\mu A$

Short-circuit alarm on if $R_{in} < 100\Omega$

Short-circuit alarm off if $R_{in} > 360\Omega$

Note: Resistors must be fitted when using the LFD facility with a contact input

500Ω to 1kΩ in series with switch

20kΩ to 25kΩ in parallel with switch

Safe-area outputs

Floating solid-state outputs compatible with logic circuits

Operating frequency: dc to 500Hz

Max. off-state voltage: ± 35V

Max. off-state leakage current: ± 50µA

Max. on-state resistance: 25Ω

Max. on-state current: ± 50mA

LED indicators

Green: power indication

Yellow: four: indicates output active

Red: indicates line fault + faulty channel's yellow LED flashes

Maximum current consumption

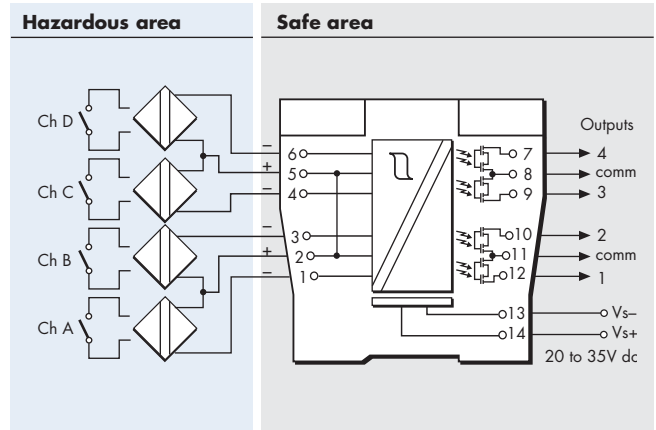
40mA at 24V (with all output channels energised)

Power dissipation within unit

0.96W at 24V, with 10mA loads

Safety description (each channel)

$V_o=10.5V$ $I_o=14mA$ $P_o=37mW$ $U_m = 253V$ rms or dc



Terminal	Function
1	Input channel A
2	Input channel AB common (+)
3	Input channel B
4	Input channel C
5	Input channel CD common (+)
6	Input channel D
7	Output channel 4
8	Output channel 3/4 common
9	Output channel 3
10	Output channel 2
11	Output channel 1/2 common
12	Output channel 1
13	Supply -ve
14	Supply +ve

Table 1 - Mode options

MODE	o/p 1	o/p 2	o/p 3	o/p 4	i/p type
0	chA	chB	chC	chD	switch
1	chA rev.	chB	chC	chD	
2	chA	chB rev.	chC	chD	
3	chA	chB	chC rev.	chD	
4	chA	chB	chC	chD rev.	
5	chA rev.	chB	chC rev.	chD	
6	chA	chB rev.	chC	chD rev.	
7	chA rev.	chB rev.	chC rev.	chD rev.	prox. detector + LFD
8	chA	chB	chC	chD	
9	chA rev.	chB	chC	chD	
10	chA	chB rev.	chC	chD	
11	chA	chB	chC rev.	chD	
12	chA	chB	chC	chD rev.	
13	chA rev.	chB	chC rev.	chD	
14	chA	chB rev.	chC	chD rev.	
15	chA rev.	chB rev.	chC rev.	chD rev.	

See Instruction Manual INM5500 for further mode information.



MTL5510B SWITCH/ PROXIMITY DETECTOR INTERFACE

four-channel, multi-function, digital input

The MTL5510B enables four solid-state outputs in the safe area to be controlled by up to four switches or proximity detectors located in a hazardous area. Each pair of output transistors shares a common terminal and can switch +ve or -ve polarity signals. A range of module configurations is available (see Table 1) through the use of selector switches. These include start/stop operations and pulse output modes.

SPECIFICATION

See also common specification

Number of channels

4, configured by switches

Location of switches

Zone 0, IIC, T6 hazardous area
Div 1, Group A hazardous location

Location of proximity detectors

Zone 0, IIC, T4-6 hazardous area if suitably certified
Div 1, Group A, hazardous location

Hazardous-area inputs

Inputs conforming to BS EN60947-5-6:2001 standards for proximity detectors (NAMUR)

Voltage applied to sensor

7 to 9V dc from 1kΩ ±10%

Input/output characteristics

Normal phase

Outputs closed if input > 2.1mA (< 2kΩ in input circuit)

Outputs open if input < 1.2mA (> 10kΩ in input circuit)

Hysteresis: 200µA (650Ω) nominal

Line fault detection (LFD) (when selected)

User-selectable via switches on the side of the unit.

Open-circuit alarm on if $I_{in} < 50\mu A$

Open-circuit alarm off if $I_{in} > 250\mu A$

Short-circuit alarm on if $R_{in} < 100\Omega$

Short-circuit alarm off if $R_{in} > 360\Omega$

Note: Resistors must be fitted when using the LFD facility with a contact input

500Ω to 1kΩ in series with switch

20kΩ to 25kΩ in parallel with switch

Safe-area outputs

Floating solid-state outputs compatible with logic circuits

Operating frequency: dc to 500Hz

Max. off-state voltage: ± 35V

Max. off-state leakage current: ± 50µA

Max. on-state resistance: 25Ω

Max. on-state current: ± 50mA

LED indicators

Green: power indication

Yellow: four: indicates output active

Red: LFD indication + faulty channel's yellow LED flashes

Maximum current consumption

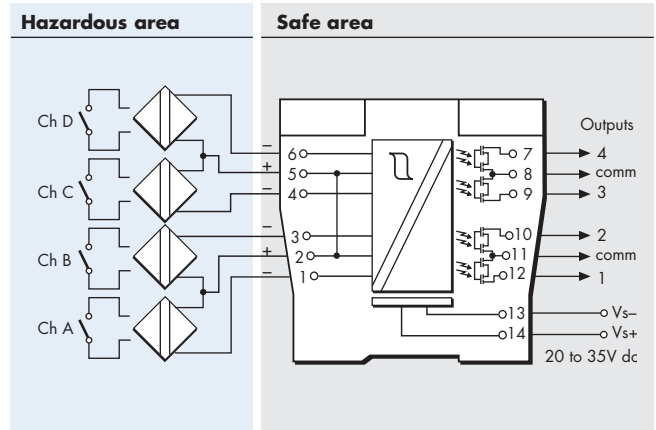
40mA at 24V (with all output channels energised)

Power dissipation within unit

0.96W at 24V, with 10mA loads

Safety description (each channel)

$V_o=10.5V$ $I_o=14mA$ $P_o=37mW$ $U_m=253V$ rms or dc



Terminal	Function
1	Input channel A
2	Input channel AB common (+)
3	Input channel B
4	Input channel C
5	Input channel CD common (+)
6	Input channel D
7	Output channel 4
8	Output channel 3/4 common
9	Output channel 3
10	Output channel 2
11	Output channel 1/2 common
12	Output channel 1
13	Supply -ve
14	Supply +ve

Table 1 - Mode options

MODE	Function	Equivalent
0	4-ch switch input,	MTL5510
1	2-ch each channel one input, two outputs	
2	Same as mode 1 with phase reversed	
3	2-ch, 2-pole changeover output	
4	1-ch with line fault output	MTL5014
5	As mode 4 with changeover outputs	
6	1-ch with start-stop latch	MTL2210B
7	4-ch switch input,	MTL5510
8	2-ch switch input,	MTL5510
9	2-ch with line fault output	MTL5017
10	As mode 9 with LFD changeover	
11	As mode 10 with phase reversed	
12	3-ch with normally-open LFD output	
13	3-ch with normally-closed LFD output	
14	2-ch monostable, pulse stretcher	
15	4-ch switch input	MTL5510

See Instruction Manual INM5500 for further mode information.



MTL5511 SWITCH/ PROXIMITY DETECTOR INTERFACE

single channel, with line fault detection

The MTL5511 enables a safe-area load to be controlled by a switch or proximity detector located in a hazardous-area. When selected, open or short circuit conditions in the field wiring are detected by the line-fault-detect (LFD) facility and also indicated on the top of the module. Phase reversal for the channel is selected by a switch on the side of the module and output is provided by changeover relay contacts.

SPECIFICATION

See also common specification

Number of channels

One

Location of switches

Zone 0, IIC, T6 hazardous area

Div. 1, Group A hazardous location

Location of proximity detector

Zone 0, IIC, T4–6 hazardous area if suitably certified

Div. 1, Group A hazardous location

Hazardous-area inputs

Inputs conforming to BS EN60947-5-6:2001 standards for proximity detectors (NAMUR)

Voltage applied to sensor

7 to 9V dc from $1k\Omega \pm 10\%$

Input/output characteristics

Normal phase

Outputs closed if input $> 2.1mA$ ($< 2k\Omega$ in input circuit)

Outputs open if input $< 1.2mA$ ($> 10k\Omega$ in input circuit)

Hysteresis: $200\mu A$ (650Ω) nominal

Line fault detection (LFD) (when selected)

User-selectable via switches on the side of the unit. A line fault is indicated by an LED. The channel output relay is de-energised if an input line fault is detected.

Open-circuit alarm on if $I_{in} < 50\mu A$

Open-circuit alarm off if $I_{in} > 250\mu A$

Short-circuit alarm on if $R_{in} < 100\Omega$

Short-circuit alarm off if $R_{in} > 360\Omega$

Note: Resistors must be fitted when using the LFD facility with a contact input

500Ω to $1k\Omega$ in series with switch

$20k\Omega$ to $25k\Omega$ in parallel with switch

Safe-area output

Single pole relay with changeover contacts

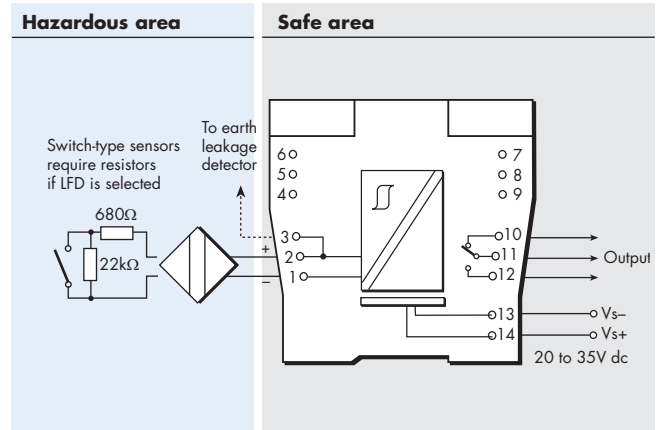
Note: reactive loads must be adequately suppressed

Relay characteristics

Response time: 10ms maximum

Contact rating: 250V ac, 2A, $\cos\phi > 0.7$

40V dc, 2A, resistive load



Terminal	Function
1	Input -ve
2	Input +ve
3	To earth leakage detector
10	Output normally-closed contact
11	Common
12	Output normally-open contact
13	Supply -ve
14	Supply +ve

LED indicators

Green: power indication

Yellow: channel status, on when output is energised

Red: LFD indication, on when line fault is detected

Maximum current consumption

25mA at 24V

Power dissipation within unit

0.6W at 24V

Safety description (each channel)

$V_o=10.5V$ $I_o=14mA$ $P_o=37mW$ $U_m = 253V$ rms or dc



EUROPE (EMEA)

AMERICAS

ASIA PACIFIC

E-mail: enquiry@mtl-inst.com

Tel: +44 (0)1582 723633

Tel: +1 603 926 0090

Tel: +65 6 487 7887

Web site: www.mtl-inst.com

Fax: +44 (0)1582 422283

Fax: +1 603 926 1899

Fax: +65 6 487 7997

MTL5513 SWITCH/ PROXIMITY DETECTOR INTERFACE

two-channel, with line fault detection
and phase reversal

The MTL5513 enables two solid-state outputs in the safe area to be controlled by two switches or proximity detectors located in the hazardous area. The Ch1/Ch2 output transistors share a common terminal and can switch +ve or -ve polarity signals. Independent output phase reversal and line fault detection are enabled via switches for each output. LFD indication is provided on the top of the module.

SPECIFICATION

See also common specification

Number of channels

Two

Location of switches

Zone 0, IIC, T6 hazardous area
Div. 1, Group A hazardous location

Location of proximity detectors

Zone 0, IIC, T4-6 hazardous area if suitably certified
Div. 1, Group A hazardous location

Hazardous-area inputs

Inputs conforming to BS EN60947-5-6:2001 standards for proximity detectors (NAMUR)

Voltage applied to sensor

7 to 9V dc from 1k Ω \pm 10%

Input/output characteristics

Normal phase

Outputs closed if input > 2.1mA (< 2k Ω in input circuit)

Outputs open if input < 1.2mA (> 10k Ω in input circuit)

Hysteresis: 200 μ A (650 Ω) nominal

Line fault detection (LFD) (when selected)

User-selectable for each channel via switches on the side of the unit. Line faults are indicated by an LED for each channel.

Open-circuit alarm on if $I_{in} < 50\mu$ A

Open-circuit alarm off if $I_{in} > 250\mu$ A

Short-circuit alarm on if $R_{in} < 100\Omega$

Short-circuit alarm off if $R_{in} > 360\Omega$

Note: Resistors must be fitted when using the LFD facility with a contact input
500 Ω to 1k Ω in series with switch

20k Ω to 25k Ω in parallel with switch

Phase reversal

Independent for each channel, user-selectable

Safe-area outputs

Floating solid-state outputs compatible with logic circuits

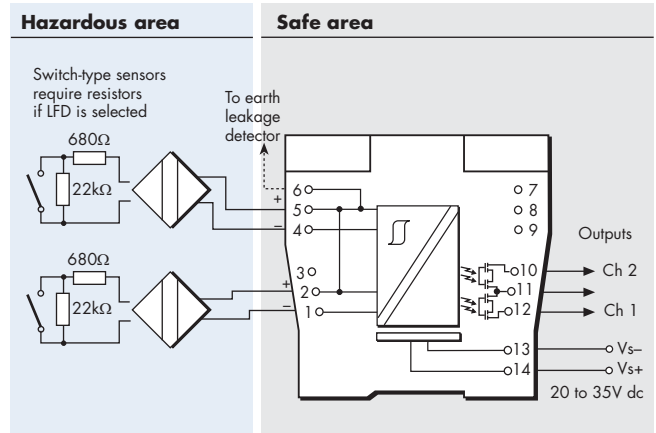
Operating frequency: dc to 500Hz

Max. off-state voltage: \pm 35V

Max. off-state leakage current: \pm 50 μ A

Max. on-state resistance: 25 Ω

Max. on-state current: \pm 50mA



Terminal	Function
1	Input -ve (Ch 1)
2	Input +ve (Ch 1)
4	Input -ve (Ch 2)
5	Input +ve (Ch 2)
6	To earth leakage detector
10	Output (Ch 2)
11	Output (Ch 1/Ch 2)
12	Output (Ch 1)
13	Supply -ve
14	Supply +ve

LED indicators

Green: power indication

Yellow: two: channel status, on when outputs are on

Red: two: LFD indication, on when line fault detected

Maximum current consumption

27mA at 24V

Power dissipation within unit

0.65W typical at 24V, with 10mA loads

0.78W max. with 50mA loads

Safety description (each channel)

$V_o = 10.5V$ $I_o = 14mA$ $P_o = 37mW$ $U_m = 253V$ rms or dc



MTL5514 SWITCH/ PROXIMITY DETECTOR INTERFACE

single channel with line fault detection
and phase reversal

The MTL5514 enables a safe-area load to be controlled, through a relay, by a proximity detector or switch located in a hazardous area. Line faults are signalled through a separate relay and indicated on the top of the module. Switches are provided to select phase reversal and to enable the line fault detection.

SPECIFICATION

See also common specification

Number of channels

One

Location of switch

Zone 0, IIC, T6 hazardous area
Div.1, Group A, hazardous location

Location of proximity detector

Zone 0, IIC, T4-6 hazardous area, if suitably certified
Div.1, Group A, hazardous location

Hazardous-area inputs

Inputs conforming to BS EN60947-5-6:2001 standards for proximity detectors (NAMUR)

Voltage applied to sensor

7 to 9V dc from $1k\Omega \pm 10\%$

Input/output characteristics

Normal phase

Outputs closed if input $> 2.1mA$ ($< 2k\Omega$ in input circuit)

Outputs open if input $< 1.2mA$ ($> 10k\Omega$ in input circuit)

Hysteresis: $200\mu A$ (650Ω) nominal

Line fault detection (LFD) (when selected)

User-selectable via switches on the side of the unit. Line faults are indicated by an LED. Line fault relay is energised and channel output relay de-energised if input line-fault detected

Open-circuit alarm on if $I_{in} < 50\mu A$

Open-circuit alarm off if $I_{in} > 250\mu A$

Short-circuit alarm on if $R_{in} < 100\Omega$

Short-circuit alarm off if $R_{in} > 360\Omega$

Note: Resistors must be fitted when using the LFD facility with a contact input 500Ω to $1k\Omega$ in series with switch

$20k\Omega$ to $25k\Omega$ in parallel with switch

Safe-area output

Channel: Single pole relay with changeover contacts

LFD: Single pole relay with changeover contacts

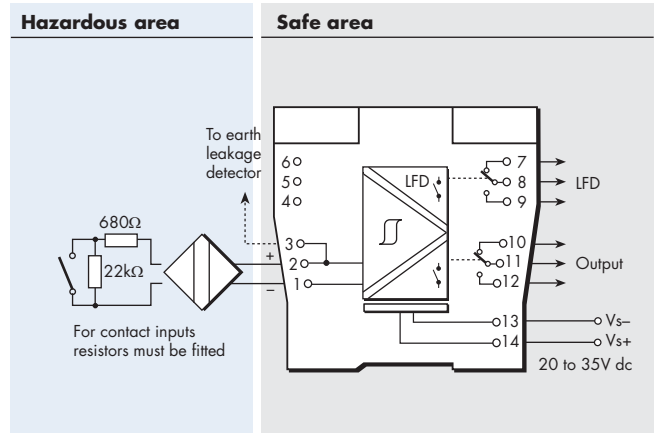
Note: reactive loads must be adequately suppressed

Relay characteristics

Response time: 10ms maximum

Contact rating: 250V ac, 2A, $\cos\phi > 0.7$

40V dc, 2A, resistive load



Terminal	Function
1	Input -ve
2	Input +ve
3	To earth leakage detector
7	LFD NC contact
8	LFD Common
9	LFD NO contact
10	Output NC contact
11	Output Common
12	Output NO contact
13	Supply - ve
14	Supply +ve

LED indicators

Green: power indication

Yellow: channel status, on when output circuit is closed

Red: LFD indication, on when line fault is detected

Maximum current consumption

25mA at 24V dc

Power dissipation within unit

0.6W at 24V

Safety description

$V_o=10.5V$ $I_o=14mA$ $P_o=37mW$ $U_m = 253V$ rms or dc



EUROPE (EMEA)

Tel: +44 (0)1582 723633

Fax: +44 (0)1582 422283

AMERICAS

Tel: +1 603 926 0090

Fax: +1 603 926 1899

ASIA PACIFIC

Tel: +65 6 487 7887

Fax: +65 6 487 7997

E-mail: enquiry@mtl-inst.com

Web site: www.mtl-inst.com

MTL5516C SWITCH/ PROXIMITY DETECTOR INTERFACE

two-channel, with line fault detection

The MTL5516C enables two safe-area loads to be controlled by a switch or proximity detector located in a hazardous-area. When selected, open or short circuit conditions in the field wiring are detected by the line-fault-detect (LFD) facility and also indicated on the top of the module. Phase reversal for each channel is selected by a switch on the side of the module and output is provided by changeover relay contacts.

SPECIFICATION

See also common specification

Number of channels

Two

Location of switches

Zone 0, IIC, T6 hazardous area

Div. 1, Group A hazardous location

Location of proximity detector

Zone 0, IIC, T4–6 hazardous area if suitably certified

Div. 1, Group A hazardous location

Hazardous-area inputs

Inputs conforming to BS EN60947-5-6:2001 standards for proximity detectors (NAMUR)

Voltage applied to sensor

7 to 9V dc from $1k\Omega \pm 10\%$

Input/output characteristics

Normal phase

Outputs closed if input $> 2.1mA$ ($< 2k\Omega$ in input circuit)

Outputs open if input $< 1.2mA$ ($> 10k\Omega$ in input circuit)

Hysteresis: $200\mu A$ (650Ω) nominal

Line fault detection (LFD) (when selected)

User-selectable via switches on the side of the unit. Line faults are indicated by an LED for each channel. The channel output relay is de-energised if an input line fault is detected.

Open-circuit alarm on if $I_{in} < 50\mu A$

Open-circuit alarm off if $I_{in} > 250\mu A$

Short-circuit alarm on if $R_{in} < 100\Omega$

Short-circuit alarm off if $R_{in} > 360\Omega$

Note: Resistors must be fitted when using the LFD facility with a contact input

500Ω to $1k\Omega$ in series with switch

$20k\Omega$ to $25k\Omega$ in parallel with switch

Safe-area output

Two single-pole relays with changeover contacts

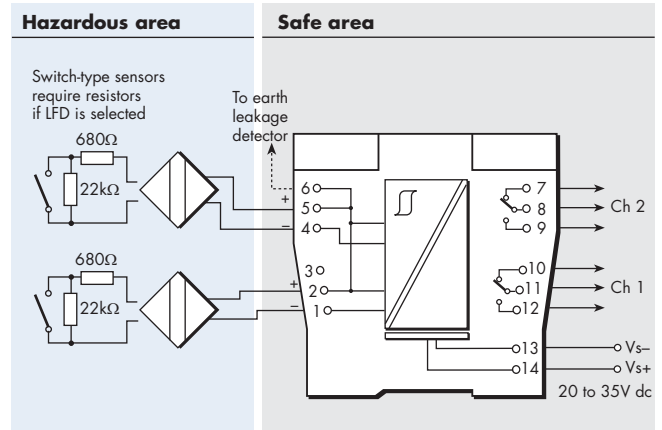
Note: reactive loads must be adequately suppressed

Relay characteristics

Response time: 10ms maximum

Contact rating: 250V ac, 2A, $\cos\phi > 0.7$

40V dc, 2A, resistive load



Terminal	Function
1	Input -ve (Ch 1)
2	Input +ve (Ch 1)
4	Input -ve (Ch 2)
5	Input +ve (Ch 2)
6	To earth leakage detector
7	Normally-closed contact (Ch 2)
8	Common (Ch 2)
9	Normally-open contact (Ch 2)
10	Normally-closed contact (Ch 1)
11	Common (Ch 1)
12	Normally-open contact (Ch 1)
13	Supply -ve
14	Supply +ve

LED indicators

Green: power indication

Yellow: two: channel status, on when output is energised

Red: two: LFD indication, on when line fault detected

Maximum current consumption

35mA at 24V

Power dissipation within unit

0.84W at 24V

Safety description (each channel)

$V_o = 10.5V$ $I_o = 14mA$ $P_o = 37mW$ $U_m = 253V$ rms or dc



EUROPE (EMEA)

AMERICAS

ASIA PACIFIC

E-mail: enquiry@mtl-inst.com

Tel: +44 (0)1582 723633

Tel: +1 603 926 0090

Tel: +65 6 487 7887

Web site: www.mtl-inst.com

Fax: +44 (0)1582 422283

Fax: +1 603 926 1899

Fax: +65 6 487 7997

MTL5517 SWITCH/ PROXIMITY DETECTOR INTERFACE

two-channel with line fault detection
and phase reversal

The MTL5517 enables two safe-area loads to be controlled, through a relay, by proximity detectors or switches located in a hazardous area. Line faults are signalled through a separate relay and indicated on the top of the module. Switches are provided to select phase reversal and to enable the line fault detection.

SPECIFICATION

See also common specification

Number of channels

Two

Location of switch

Zone 0, IIC, T6 hazardous area
Div.1, Group A, hazardous location

Location of proximity detector

Zone 0, IIC, T4-6 hazardous area, if suitably certified
Div.1, Group A, hazardous location

Hazardous-area inputs

Inputs conforming to BS EN60947-5-6:2001 standards for proximity detectors (NAMUR)

Voltage applied to sensor

7 to 9V dc from 1k Ω \pm 10%

Input/output characteristics

Normal phase

Outputs closed if input > 2.1mA (< 2k Ω in input circuit)

Outputs open if input < 1.2mA (> 10k Ω in input circuit)

Hysteresis: 200 μ A (650 Ω) nominal

Line fault detection (LFD) (when selected)

User selectable by switches on the side of the module. Line faults are indicated by the LED for each channel.

Line fault relay is energised and channel output relay de-energised if input line-fault detected

Open-circuit alarm on if $I_{in} < 50\mu$ A

Open-circuit alarm off if $I_{in} > 250\mu$ A

Short-circuit alarm on if $R_{in} < 100\Omega$

Short-circuit alarm off if $R_{in} > 360\Omega$

Note: Resistors must be fitted when using the LFD facility with a contact input
500 Ω to 1k Ω in series with switch

20k Ω to 25k Ω in parallel with switch

Safe-area output

Channel: Two single-pole relays with normally open contacts

LFD: Single pole relay with changeover contacts

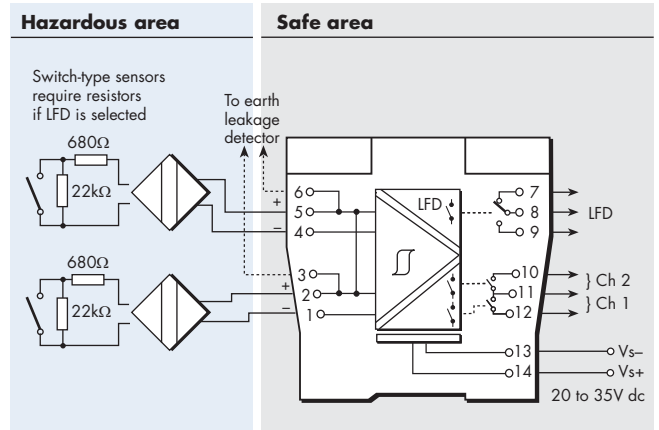
Note: reactive loads must be adequately suppressed

Relay characteristics

Response time: 10ms maximum

Contact rating: 250V ac, 2A, $\cos\phi > 0.7$

40V dc, 2A, resistive load



Terminal	Function
1	Input -ve
2	Input +ve
3,6	To earth leakage detector
7	LFD Normally-closed contact
8	LFD Common
9	LFD Normally-open contact
10	Output 2
11	Common - Outputs 1 and 2
12	Output 1
13	Supply -ve
14	Supply +ve

LED indicators

Green: power indication

Yellow: two: channel status, on when output is energised

Red: two: LFD indication, on when line fault detected

Maximum current consumption

35mA at 24V

Power dissipation within unit

0.84W at 24V

Safety description (each channel)

$V_o=10.5V$ $I_o=14mA$ $P_o=37mW$ $U_m = 253V$ rms or dc



MTL5521 SOLENOID/ ALARM DRIVER

loop-powered, IIC

The MTL5521 is a loop-powered module which enables a device located in the hazardous area to be controlled from the safe area. The MTL5521 can drive a certified intrinsically safe low-power load, as well as non-energy-storing simple apparatus such as an LED.

SPECIFICATION

See also common specification

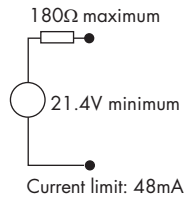
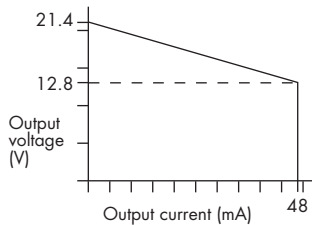
Number of channels

One

Location of load

Zone 0, IIC, T4--6 hazardous area if suitably certified
Div. 1, Group A hazardous location

Minimum output voltage Equivalent output circuit



Input voltage

20 to 35V dc

Hazardous-area output

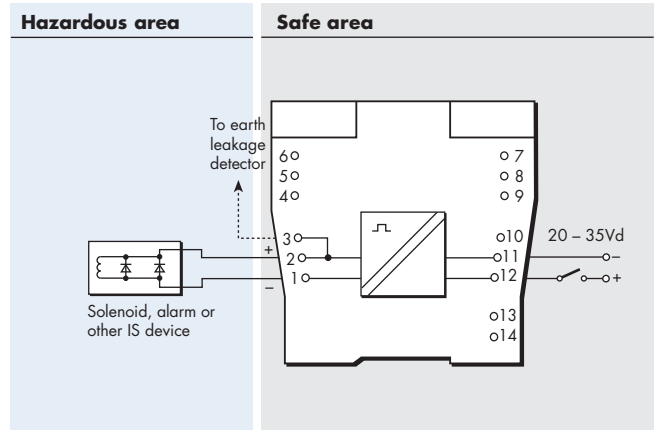
Minimum output voltage: 12.8V at 48mA
Maximum output voltage: 24V from 180Ω
Current limit: 48mA

Output ripple

< 0.5% of maximum output, peak to peak

Response time

Output within 10% of final value within 100ms



Terminal	Function
1	Output -ve
2	Output +ve
3	To earth leakage detector
11	Supply -ve
12	Supply +ve

LED indicator

Yellow: output status, on when output circuit is active

Maximum current consumption

90mA at 24V

Power dissipation within unit

1.4W at 24V

Safety description

$V_o=25V$ $I_o=147mA$ $P_o=919mW$ $U_m = 253V$ rms or dc



MTL5522 SOLENOID/ ALARM DRIVER

loop-powered, IIB

The MTL5522 is a loop-powered module which enables a device located in the hazardous area to be controlled from the safe area. The MTL5522 can drive a certified intrinsically safe low-power load, as well as non-energy-storing simple apparatus such as an LED.

SPECIFICATION

See also common specification

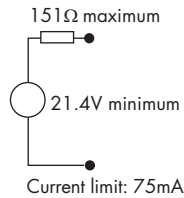
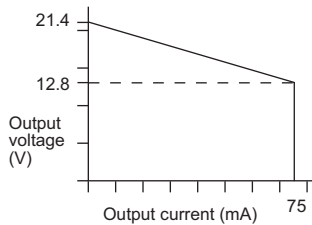
Number of channels

One

Location of load

Zone 0, IIC, T4--6 hazardous area if suitably certified
Div. 1, Group A hazardous location

Minimum output voltage Equivalent output circuit



Input voltage

20 to 35V dc

Hazardous-area output

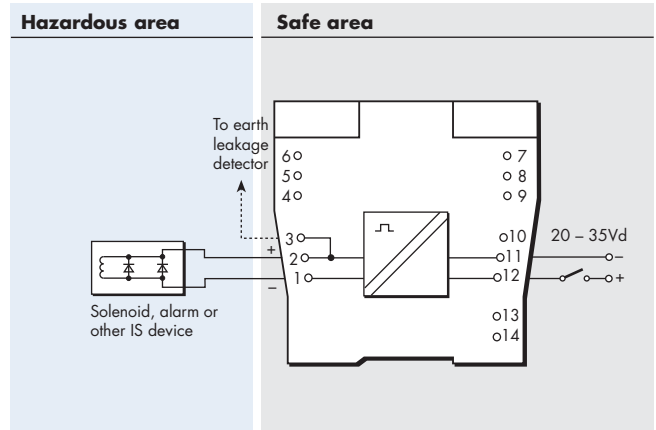
Minimum output voltage: 12.8V at 48mA
Maximum output voltage: 24V from 151Ω
Current limit: 75mA

Output ripple

< 0.5% of maximum output, peak to peak

Response time

Output within 10% of final value within 100ms



Terminal	Function
1	Output -ve
2	Output +ve
3	To earth leakage detector
11	Supply -ve
12	Supply +ve

LED indicator

Yellow: output status, on when output circuit is active

Maximum current consumption

115mA (typ.) at 24V

Power dissipation within unit

1.4W at 24V

Safety description

$V_o=25V$ $I_o=147mA$ $P_o=919mW$ $U_m = 253V$ rms or dc



MTL5523

SOLENOID/ALARM DRIVER

with line fault detection, IIC

With the MTL5523 interface, an on/off device in a hazardous area can be controlled by a voltage signal in the safe area. It is suitable for driving loads such as solenoids. Line fault detection (LFD), which operates irrespective of the output state, is signalled by a safe-area solid-state switch which de-energises MTL5523, if a field line is open or short-circuited. Earth fault detection can be provided by connecting an MTL4220 earth leakage detector to terminal 3.

SPECIFICATION

See also common specification

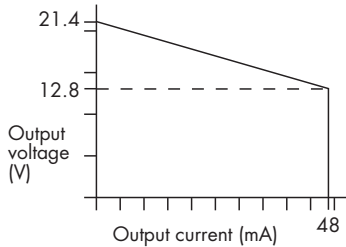
Number of channels

One

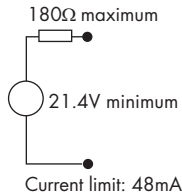
Location of load

Zone 0, IIC, T4-6 hazardous area if suitably certified
Div. 1, Group A, hazardous location

Minimum output voltage



Equivalent output circuit



Hazardous-area output

Minimum output voltage: 12.8V at 48mA
Maximum output voltage: 24V from 180Ω
Current limit: 48mA

Output ripple

< 0.5% of maximum output, peak to peak

Control input

Suitable for switch contacts, an open collector transistor or logic drive

Output turns on if input switch closed, transistor on or < 1.4V applied across terminals 11 & 12

Output turns off if input switch open, transistor off or > 4.5V applied across terminals 11 & 12

Response time

Output within 10% of final value within 100ms

Line fault detection (LFD)

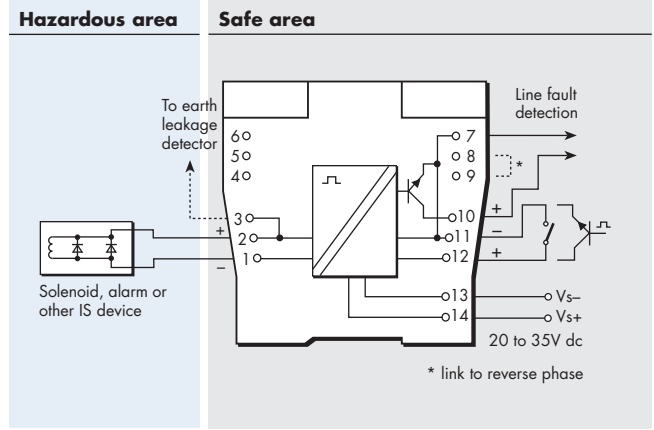
Open or short circuit in field cabling de-energises solid state line-fault signal.

LFD transistor is switched on, provided that the field circuit impedance is > 55Ω and < 6k5Ω.

Line fault signal characteristics

Maximum off-state voltage: 35V
Maximum off-state leakage current: 10μA
Maximum on-state voltage drop: 2V
Maximum on-state current: 50mA

Note: LFD signal is Zener-diode protected against inductive loads



Terminal	Function
1	Output -ve
2	Output +ve
3	To earth leakage detector
7	Line fault signal -ve
8	Phase reversal link
9	Phase reversal link
10	Line fault signal +ve
11	Control -ve
12	Control +ve
13	Supply -ve
14	Supply +ve

LED indicators

Green: power indication
Yellow: output status, on when output circuit is active
Red: LFD indication, on when line fault is detected

Maximum current consumption

100mA at 24V dc

Power dissipation within unit

1.2W with typical solenoid valve, output on
2.0W worst case

Safety description

$V_o=25V$ $I_o=147mA$ $P_o=919mW$ $U_m=253V$ rms or dc



MTL5524 SOLENOID/ ALARM DRIVER

powered, logic drive with phase reversal

The MTL5524 enables an on/off device in a hazardous area to be controlled by a volt-free contact or logic signal in the safe area. It can drive loads such as solenoids, alarms, LEDs and other low power devices that are certified as intrinsically safe or are classified as non-energy storing simple apparatus. By connecting a second safe-area switch or logic signal, the output can be disabled to permit, for example, a safety system to override a control signal.

SPECIFICATION

See also common specification

Number of channels

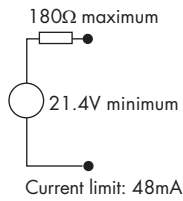
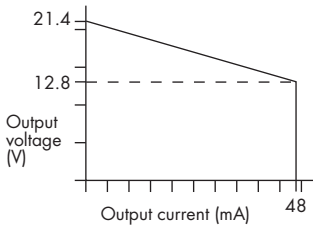
One

Location of load

Zone 0, IIC, T4-6 hazardous area if suitably certified
Div.1, Group A, hazardous location

Minimum output voltage

Equivalent output circuit



Hazardous-area output

Minimum output voltage: 12.8V at 48mA
Maximum output voltage: 24V from 180Ω
Current limit: 48mA

Output ripple

< 0.5% of maximum output, peak-to-peak

Control input

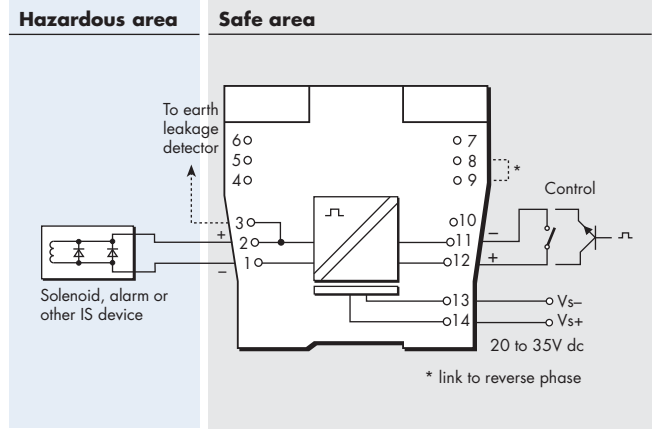
Suitable for switch contacts, an open collector transistor or logic drive

0 = input switch closed, transistor on or <1.4V applied across terminals 11 & 12

1 = input switch open, transistor off or >4.5V applied across terminals 11 & 12

Response time

Output within 10% of final value within 100ms



Terminal	Function
1	Output -ve
2	Output +ve
3	To earth leakage detector
8	Phase reversal link
9	Phase reversal link
11	Control -ve
12	Control +ve
13	Supply -ve
14	Supply +ve

LED indicators

Green: power indication

Yellow: output status, on when output circuit is active

Maximum current consumption

100mA at 24V dc

Power dissipation within unit

1.3W with typical solenoid valve, output on

1.9W worst case

Safety description

$V_o = 25V$ $I_o = 147mA$ $P_o = 919mW$ $U_m = 253V$ rms or dc



MTL5525 SOLENOID/ ALARM DRIVER

low current, loop-powered, IIC

The MTL5525 enables an on/off device in a hazardous area to be controlled by a volt-free contact or logic signal in the safe area. It can drive loads such as solenoids, alarms, LEDs and other low power devices that are certified as intrinsically safe or are classified as non-energy storing simple apparatus. By connecting a second safe-area switch or logic signal, the output can be disabled to permit, for example, a safety system to override a control signal.

SPECIFICATION

See also common specification

Number of channels

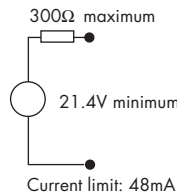
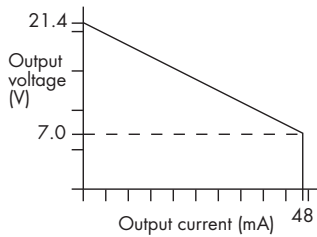
One

Location of load

Zone 0, IIC, T4-6 hazardous area if suitably certified
Div.1, Group A, hazardous location

Minimum output voltage

Equivalent output circuit



Hazardous-area output

Minimum output voltage: 7V at 48mA
Maximum output voltage: 24V from 300Ω
Current limit: 48mA

Output ripple

< 0.5% of maximum output, peak-to-peak

Control input

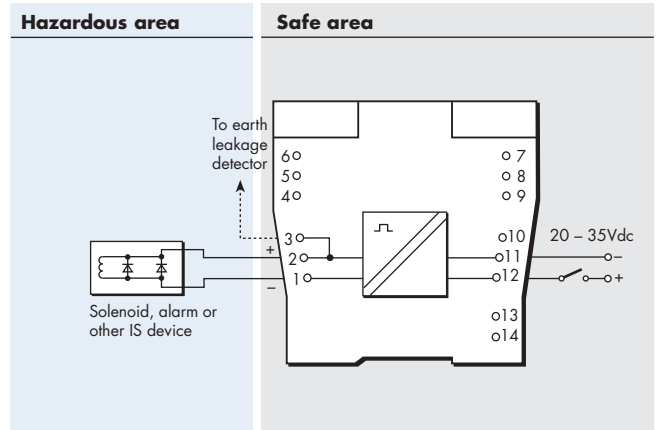
Suitable for switch contacts, an open collector transistor or logic drive

0 = input switch closed, transistor on or <1.4V applied across terminals 11 & 12

1 = input switch open, transistor off or >4.5V applied across terminals 11 & 12

Response time

Output within 10% of final value within 100ms



Terminal	Function
1	Output -ve
2	Output +ve
3	To earth leakage detector
8	Phase reversal link
9	Phase reversal link
11	Control -ve
12	Control +ve
13	Supply -ve
14	Supply +ve

LED indicators

Green: power indication

Yellow: output status, on when output circuit is active

Maximum current consumption

100mA at 24V dc

Power dissipation within unit

1.3W with typical solenoid valve, output on
1.9W worst case

Safety description

$V_o=25V$ $I_o=83.3mA$ $P_o=521mW$ $U_m = 253V$ rms or dc



MTL5541 REPEATER POWER SUPPLY

4/20mA, smart, for 2- or 3-wire transmitters

The MTL5541 provides a fully-floating dc supply for energising a conventional 2- or 3-wire 4/20mA transmitter which is located in a hazardous area, and repeats the current in another floating circuit to drive a safe-area load. For smart 2-wire transmitters, the unit allows bi-directional communications signals superimposed on the 4/20mA signal.

SPECIFICATION

See also common specification

Number of channels

One

Location of transmitter

Zone 0, IIC, T4-6 hazardous area if suitably certified
Div. 1, Group A hazardous location

Safe-area output

Signal range: 4 to 20mA
Under/over-range: 0 to 24mA
Safe-area load resistance: 0 to 360Ω @ 24mA
0 to 450Ω @ 20mA
Safe-area circuit output resistance: > 1MΩ

Safe-area circuit ripple

< 50μA peak-to-peak

Hazardous-area input

Signal range: 0 to 24mA (including over-range)
Transmitter voltage: 16.5V at 20mA

Transfer accuracy at 20°C

Better than 15μA

Temperature drift

< 0.8μA/°C

Response time

Settles to within 10% of final value within 50μs

Communications supported

HART® (terminals 1 & 2 only)

LED indicator

Green: power indication

Maximum current consumption (with 20mA signal)

51mA at 24V

Power dissipation within unit (with 20mA signal)

0.7W at 24V

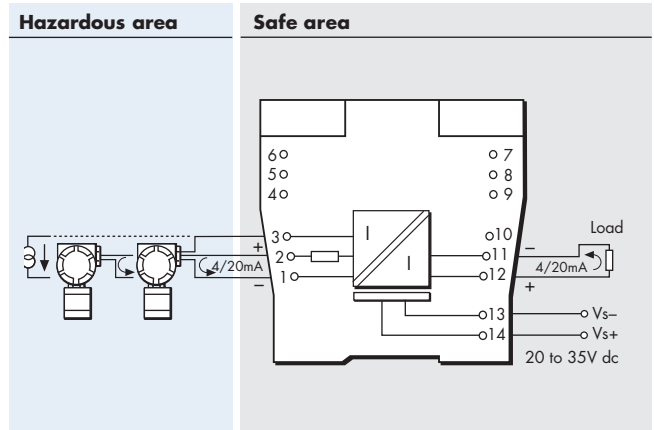
Safety description

Terminals 2 to 1 and 3:

$V_o=28V$ $I_o=93mA$ $P_o=651mW$ $U_m = 253V$ rms or dc

Terminals 1 to 3:

Simple apparatus $\leq 1.5V$, $\leq 0.1A$ and $\leq 25mW$; can be connected without further certification into any IS loop with an open-circuit voltage <28V



Terminal	Function
1	Current input
2	Transmitter supply +ve
3	Common
11	Output -ve
12	Output +ve
13	Supply -ve
14	Supply +ve

MTL5544 REPEATER POWER SUPPLY

two channel, 4/20mA, smart,
for 2- or 3- wire transmitters

The MTL5544 provides fully-floating dc supplies for energising two conventional 2-wire or 3-wire 4/20mA or 'smart' transmitters located in a hazardous area, and repeats the current in other circuits to drive two safe-area loads. For smart transmitters, the unit allows bi-directional transmission of digital communication signals superimposed on the 4/20mA signal so that the transmitter can be interrogated either from the operator station or by a hand-held communicator.

SPECIFICATION

See also common specification

Number of channels

Two

Location of transmitter

Zone 0, IIC, T4-6 hazardous area if suitably certified
Div. 1, Group A hazardous location

Safe-area output

Signal range: 4 to 20mA
Under/over-range: 0 to 24mA
Safe-area load resistance: 0 to 360Ω @ 24mA
0 to 450Ω @ 20mA

Safe-area circuit output resistance: > 1MΩ

Safe-area circuit ripple

< 50µA peak-to-peak

Hazardous-area input

Signal range: 0 to 24mA (including over-range)
Transmitter voltage: 16.5V at 20mA

Transfer accuracy at 20°C

Better than 15µA

Temperature drift

< 0.8µA/°C

Response time

Settles to within 10% of final value within 50µs

Communications supported

HART® (terminals 1 & 2 and 4 & 5 only)

LED indicator

Green: power indication

Maximum current consumption (with 20mA signals)

96mA at 24V dc

Power dissipation within unit (with 20mA signals)

1.4W at 24V dc

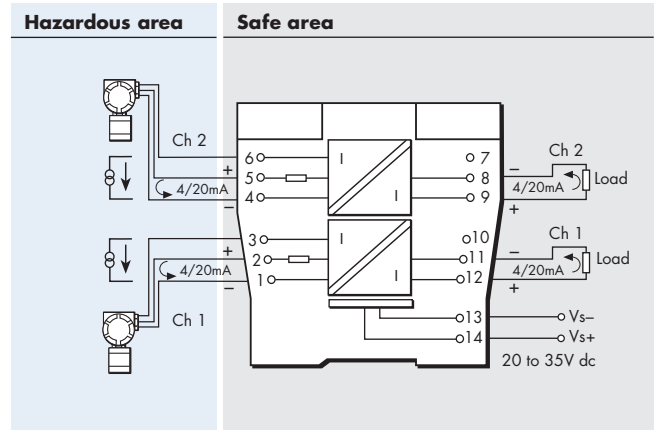
Safety description (each channel)

Terminals 2 to 1 and 3, and 5 to 4 and 6:

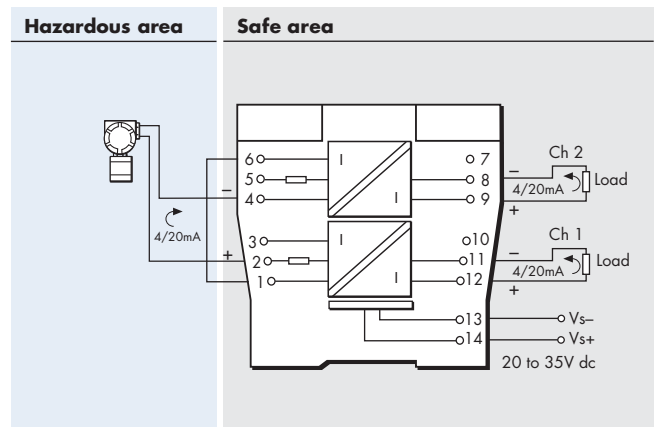
$V_o=28V$ $I_o=93mA$ $P_o=651mW$ $U_m=253V$ rms or dc

Terminals 1 to 3 and 4 to 6:

Simple apparatus $\leq 1.5V$, $\leq 0.1A$ and $\leq 25mW$; can be connected without further certification into any IS loop with an open-circuit voltage <28V



Terminal	Function
1	Ch1 current input
2	Ch1 transmitter supply +ve
3	Ch1 common
4	Ch2 current input
5	Ch2 transmitter supply +ve
6	Ch2 common
8	Ch2 output -ve
9	Ch2 output +ve
11	Ch1 output -ve
12	Ch1 output +ve
13	Supply -ve
14	Supply +ve



The MTL5544 can also be used to drive two safe-area loads from a single 2-wire transmitter (i.e. 1 in, 2 out) by interconnecting the input channels as shown in the diagram here.

Note: In this mode the HART data is transferred via channel 1 output only.



MTL5546

ISOLATING DRIVER

for 4–20mA smart valve positioners
with line fault detection

The MTL5546 accepts a 4/20mA floating signal from a safe-area controller to drive a current/pressure converter (or any other load up to 800Ω) in a hazardous area. For smart valve positioners, the module also permits bi-directional transmission of digital communication signals so that the device can be interrogated either from the operator station or by a hand-held communicator. Process controllers with a readback facility can detect open or short circuits in the field wiring: if these occur, the current taken into the terminals drops to a preset level.

SPECIFICATION

See also common specification

Number of channels

One

Location of I/P converter

Zone 0, IIC, T4–6 hazardous area if suitably certified
Div. 1, Group A, hazardous location

Working range

4 to 20mA

Digital signal bandwidth

500Hz to 10kHz

Maximum load resistance

800Ω (16V at 20mA)

Minimum load resistance

90Ω (short-circuit detection at < 50Ω)

Output resistance

> 1MΩ

Under/over range capability

Under range = 1mA
Over range = 24mA (load ≤ 520Ω)

Input and output circuit ripple

< 40μA peak-to-peak

Transfer accuracy at 20°C

Better than 20μA

Temperature drift

< 1.0μA/°C

Input characteristics

< 6.0V with the field wiring intact
< 0.9mA with the field wiring open or short-circuit

Response time

Settles within 200μA of final value within 100ms

Communications supported

HART®

LED indicator

Green: power indication

Maximum current consumption (with 20mA signal)

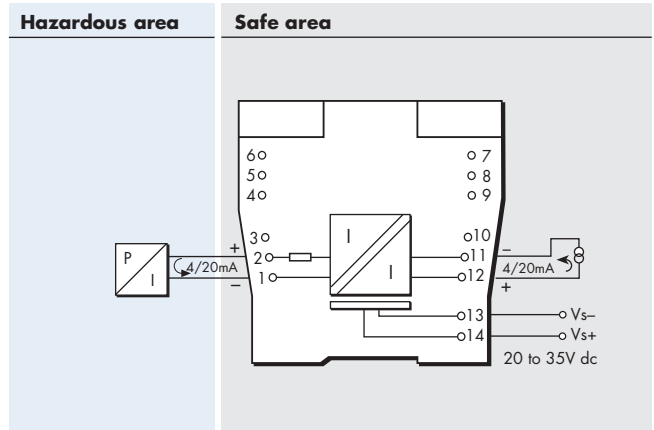
35mA at 24V dc

Power dissipation within unit (with 20mA signal)

0.8W at 24V

Safety description

$V_o=28V$ $I_o=93mA$ $P_o=651mW$ $U_m = 253V$ rms or dc



Terminal	Function
1	Output -ve
2	Output +ve
11	Input -ve
12	Input +ve
13	Supply -ve
14	Supply +ve



MTL5549

ISOLATING DRIVER

two-channel, for 4–20mA smart valve positioners with line fault detection

The MTL5549 accepts 4/20mA floating signals from safe-area controllers to drive 2 current/pressure converters (or any other load up to 800Ω) in a hazardous area. For smart valve positioners, the module also permits bi-directional transmission of digital communication signals so that the device can be interrogated either from the operator station or by a hand-held communicator. Process controllers with a readback facility can detect open or short circuits in the field wiring: if these occur, the current taken into the terminals drops to a preset level.

SPECIFICATION

See also common specification

Number of channels

Two

Location of I/P converter

Zone 0, IIC, T4–6 hazardous area if suitably certified
Div. 1, Group A, hazardous location

Working range

4 to 20mA

Digital signal bandwidth

500Hz to 10kHz

Maximum load resistance

800Ω (16V at 20mA)

Minimum load resistance

90Ω (short-circuit detection at < 50Ω)

Output resistance

> 1MΩ

Under/over range capability

Under range = 1mA
Over range = 24mA (load ≤ 520Ω)

Input and output circuit ripple

<40µA peak-to-peak

Transfer accuracy at 20°C

Better than 20µA

Temperature drift

< 1.0µA/°C

Input characteristics

< 6.0V with the field wiring intact
< 0.9mA with the field wiring open or short-circuit

Response time

Settles within 200µA of final value within 100ms

Communications supported

HART®

LED indicator

Green: power indication

Maximum current consumption (with 20mA signals)

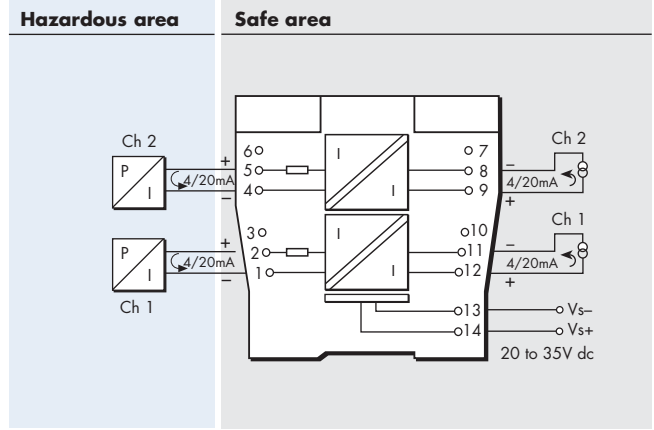
70mA at 24V dc

Power dissipation within unit (with 20mA signals)

1.6W at 24V

Safety description (each channel)

$V_o=28V$ $I_o=93mA$ $P_o=651mW$ $U_m = 253V$ rms or dc



Terminal	Function
1	Output -ve (Ch 1)
2	Output +ve (Ch 1)
4	Output -ve (Ch 2)
5	Output +ve (Ch 2)
8	Input -ve (Ch 2)
9	Input +ve (Ch 2)
11	Input -ve (Ch 1)
12	Input +ve (Ch 1)
13	Supply -ve
14	Supply +ve



MTL5575

TEMPERATURE CONVERTER

THC or RTD input + Alarm

The MTL5575 converts a low-level dc signal from a temperature sensor mounted in a hazardous area into a 4/20mA current for driving a safe-area load. Software selectable features include linearisation, ranging, monitoring, testing and tagging for all thermocouple types and 2-, 3- or 4-wire RTDs. (For thermocouples requiring cold-junction compensation, the HAZ-CJC plug can be ordered with the product and includes an integral CJC sensor). Configuration is carried out using a personal computer. A single alarm output is provided and may be configured for high or low process alarm or to provide notice of early thermocouple failure.

SPECIFICATION

See also common specification

Number of channels

One

Signal source

Types J, K, T, E, R, S, B or N THCs to BS 60584 and XK
EMF input
Pt 100, Pt 500, Pt 1000
2/3/4-wire platinum RTDs to BS 60751
Cu-50 & Cu-53
Ni 100/500/1000 DIN 43760

Location of signal source

Zone 0, IIC, T4-6 hazardous area
Division 1, Group A, hazardous location

Input signal range

-75 to +75mV, or 0 to 400Ω (0 to 1000Ω Pt & Ni sensors)

Input signal span

3 to 150mV, or 10 to 400Ω (10 to 1000Ω Pt & Ni sensors)

RTD excitation current

200μA nominal

Cold junction compensation

Automatic or selectable

Cold junction compensation error

≤ 1.0°C

Common mode rejection

120dB for 240V at 50Hz or 60Hz (500ms response)

Series mode rejection

40dB for 50Hz or 60Hz

Calibration accuracy (at 20°C)

(includes hysteresis, non-linearity and repeatability)

Inputs: (500ms response)

mV/THC: ± 15μV or ± 0.05% of input value
(whichever is greater)

RTD: ± 80mΩ

Output: ± 11μA

Temperature drift (typical)

Inputs:

mV/THC: ± 0.003% of input value/°C

RTD: ± 7mΩ/°C

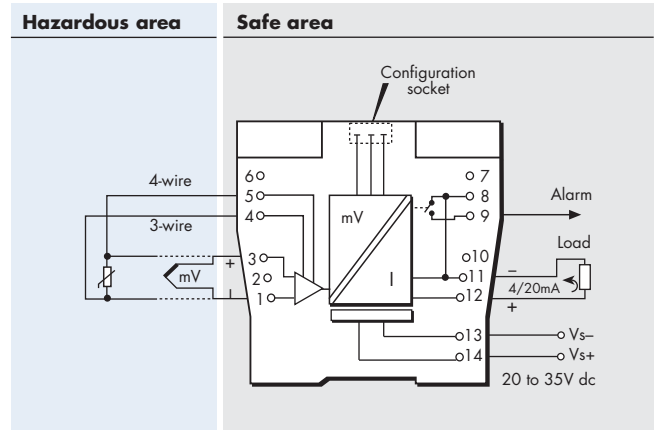
Output: ± 0.6μA/°C

Example of calibration accuracy and temperature drift (RTD input - 500ms response)

Span: 250Ω

Accuracy: ± (0.08/250 + 11/16000) × 100%
= 0.1% of span

Temperature drift: ± (0.007/250 × 16000 + 0.6) μA/°C
= ± 1.0μA/°C



Terminal	Function
1	THC/EMF/RTD input -ve
3	THC/EMF/RTD input +ve
4	3-wire RTD input -ve
5	4-wire RTD input +ve
8	Output -ve/Alarm relay
9	Alarm relay
11	Output -ve
12	Output +ve
13	Supply -ve
14	Supply +ve

Safety drive on sensor burnout

Upscale, downscale, or off

Early burnout

Early burnout detection for thermocouples (when selected)
Alarm trips when loop resistance increase is > 50Ω

Output range

4 to 20mA nominal into 600Ω max. (direct or reverse)

Alarm output

Relay ON in alarm, 250mA @ 35V max

Maximum lead resistance (THC)

600Ω

Response time

Configurable - 500 ms default
(Accuracy at 100/200ms - contact MTL)

LED indicator

Green: power and status indication
Yellow: alarm indication, on when contacts are closed

Maximum current consumption (with 20mA signal)

50mA at 24V

Power dissipation within unit (with 20mA signal)

1.2W at 24V

Safety description

Refer to certificate for entity parameters. Um=253V rms or dc.s

Configurator

A personal computer running MTL PCS45 software with a PCL45USB serial interface.



MTL5599 DUMMY ISOLATOR

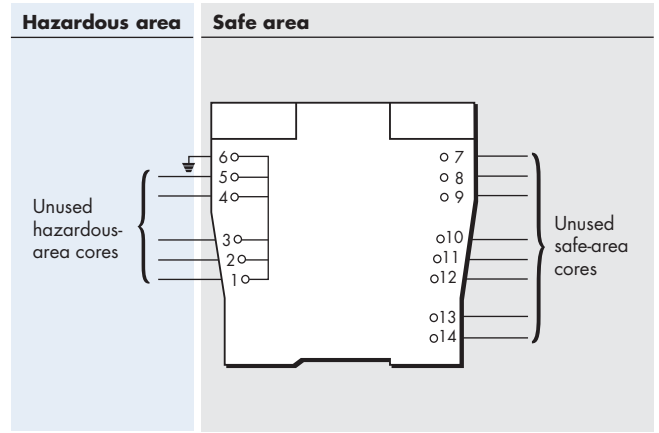
The primary function of the MTL5599, which can be used with all other MTL5500 Series units, is to provide termination and earthing facilities for unused cable cores from hazardous areas.

SPECIFICATION

See also common specification

Weight

60g



MTL5500 SERIES COMMON SPECIFICATION

Please go to our website at www.mtl-inst.com for the latest information regarding safety approvals, certificates and entity parameters.

Connectors

Each MTL5500 unit is supplied with signal connectors, as applicable.

When using crimp ferrules for the hazardous and non-hazardous (safe) signal connectors the metal tube length should be 12mm and the wire trim length 14mm.

Isolation

250V rms, tested at 1500V rms minimum, between safe- and hazardous-area terminals.

50V between safe-area circuits and power supply

Supply voltage

20 – 35V dc

Location of units

Safe area

Terminals

Accepts conductors of up to 2.5mm² stranded or single-core

Mounting

MTL5500 series backplanes

Ambient temperature limits

-20 to +60°C (-6 to +140°F) operating

-40 to +80°C (-40 to +176°F) storage

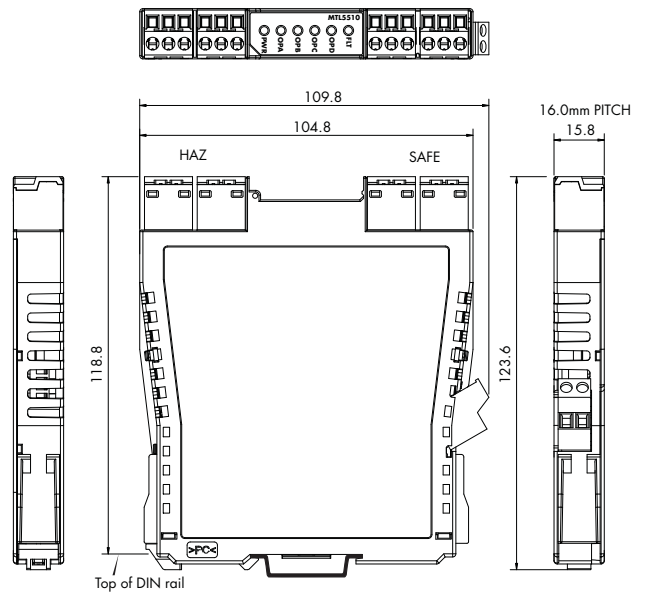
Humidity

5 to 95% relative humidity

Weight

110g approximately (except where indicated)

DIMENSIONS (mm)

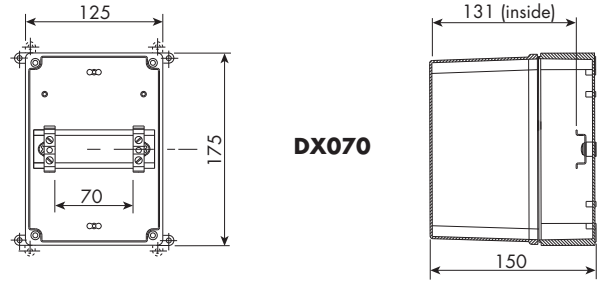


HART® is a registered trademark of HART Communication Foundation

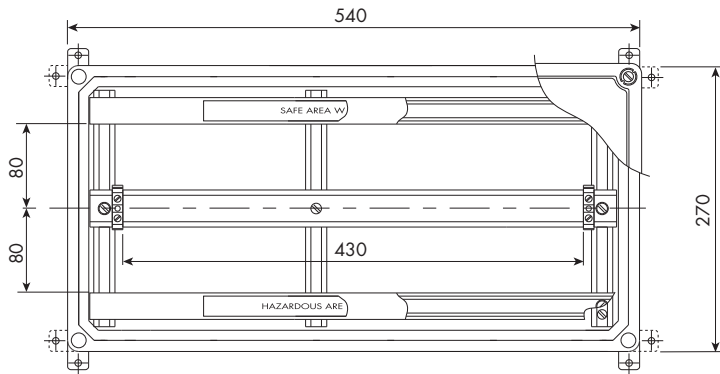


MTL5500 SERIES ENCLOSURES

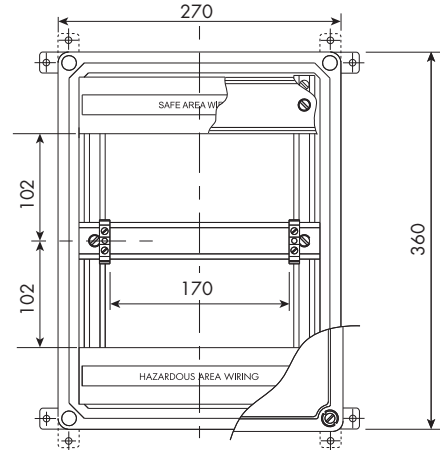
DIMENSIONS (mm) AND MOUNTING



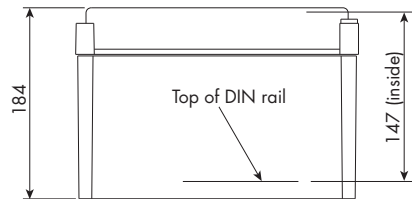
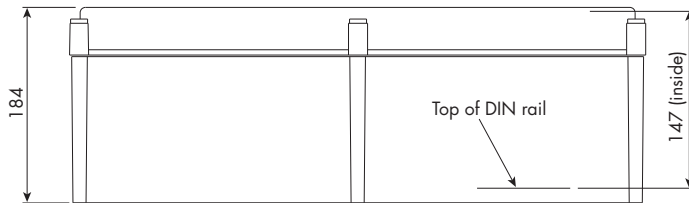
DX070



DX430



DX170



SPECIFICATION

Construction

- Glass reinforced polycarbonate base - DX070
- Glass reinforced polyester base - DX170, DX430
- Transparent polycarbonate lid

Protection

- Dust-tight and water-jet proof to IEC529:IP65

Lid fixing

- Captive fixing screws

Weight (excluding barriers/isolators) kg

- DX070 0.8
- DX170 2.6
- DX430 4.1

Items provided

- DIN rail - fitted
- ETL7000 Earth terminals (2 x) - fitted
- "Take care IS" front adhesive label
- Cable trunking (except DX070)

Note: Isolators are not included.

Mounting

- Wall fixing lugs provided. For further details refer to INM5500.

Tagging and earth rail

- Accommodates MTL5500 Series accessories.

Permitted location

- Safe area
- FM and CSA Div. 2, Class I (gases)
- Not** Div. 2, Class II (dust ignition proof)

Approximate capacities (on DIN rail between earth terminals)

	MTL5500 isolator	
DX070	4	(2)*
DX170	10	(8)*
DX430	26	(24)*

* Use these figures when IMB57 mounting blocks for tagging/earth are included.

Ambient temperature limits

- Dependent on units fitted. See instruction manual INM5500.



MTL5000 SERIES ACCESSORIES

MTL5000 Series isolators mount quickly and easily onto standard DIN rail. A comprehensive range of accessories simplifies earthing and tagging arrangements.

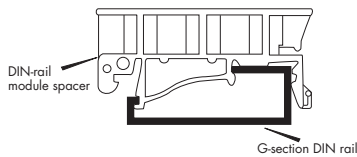
MOUNTING

THR2 DIN rail, 1m length

DIN rail to EN50022; BS5584; DIN46277

MS010 DIN rail module spacer, 10mm, pack of 5

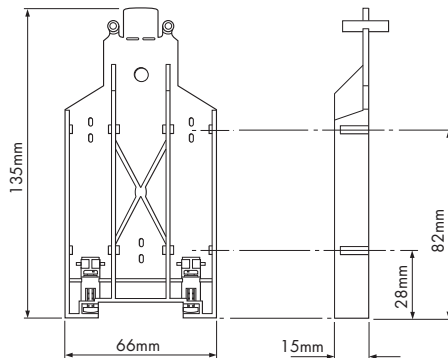
Grey spacer, one required between each MTL5995 and any adjacent module on a DIN rail, to provide 10mm air-circulation space between modules



EARTH RAIL AND TAG STRIP

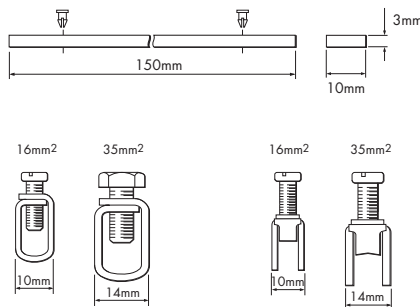
IMB57 Insulating mounting block

One required at each end of a tagging strip/earth rail. Suitable for low-profile (7.5mm) and high-profile (15mm) symmetrical DIN rail.



ERB57S Earth-rail bracket, straight

Nickel-plated; supplied with two push fasteners, one (14mm, 35mm²) earth-rail clamp and one (10mm, 16mm²) earth clamp.

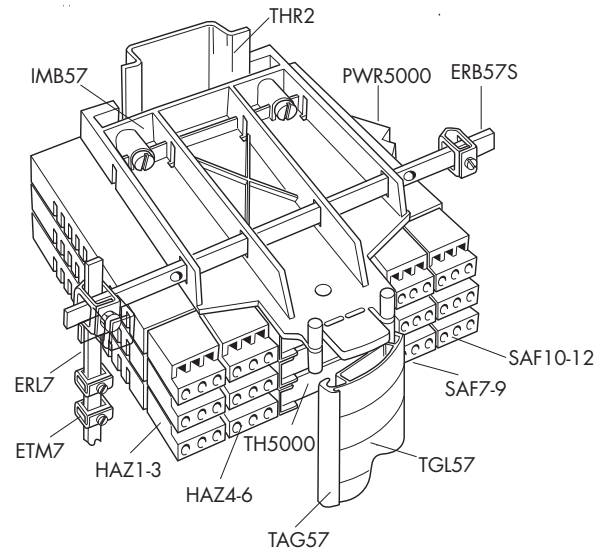


ERL7 Earth rail, 1m length

Nickel-plated; may be cut to length.

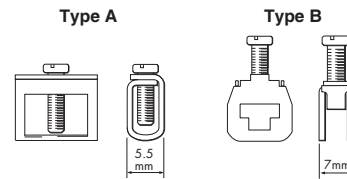


MOUNTING DETAILS



ETM7 Earth terminal, bag of 50

For terminating cable screens and 0V returns on the ERL7 earth rail. For cables ≤ 4mm². Exact dimension dependent on manufacturer.



TAG57 Tagging strip, 1m length

Cut to size. Supplied with reversible tagging strip label suitable for MTL5000, MTL5500 or MTL7000 Series module spacing.



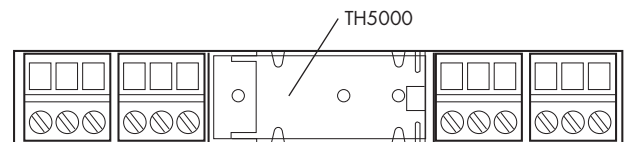
TGL57 Tagging strip labels, set of 10 x 0.5m

Spares replacement, for use with TAG57 tagging strip. Labels are reversible - one side for MTL5000, the other for MTL7000.

INDIVIDUAL ISOLATOR IDENTIFICATION

TH5000 tag holders

Each isolator may be fitted with a clear plastic tag holder, as shown below. Order TH5000, pack of 20.



CONNECTORS

Each MTL5000 unit is supplied with signal and power connectors, as applicable.

Spares replacement connectors are available separately; see ordering information.

See also
'MTL5500 Series powerbus kits'



MTL5500 SERIES POWERBUS KITS

PB - 8T,16T,24T,32T

The MTL5500 Series powerbus kit enables quick and easy wiring to power up to 32 MTL5500 Series modules using a standard 24V power supply. Each powerbus kit includes 4 single ferrules, 4 twin ferrules and 2 insulation displacement connectors (Scotchlok).

SPECIFICATION

Available in 4 different lengths:

PB - 8T	= 8 connectors and loops
PB - 16T	= 16 connectors and loops
PB - 24T	= 24 connectors and loops
PB - 32T	= 32 connectors and loops

CABLE PARAMETERS

Insulation material :

PVC

Conductor :

24 strands of 0.2mm dia (0.75mm²) standard copper

Insulation thickness :

0.5 to 0.8 mm

Current rating :

12A max

Operating temperature range :

- 20°C to +60°C

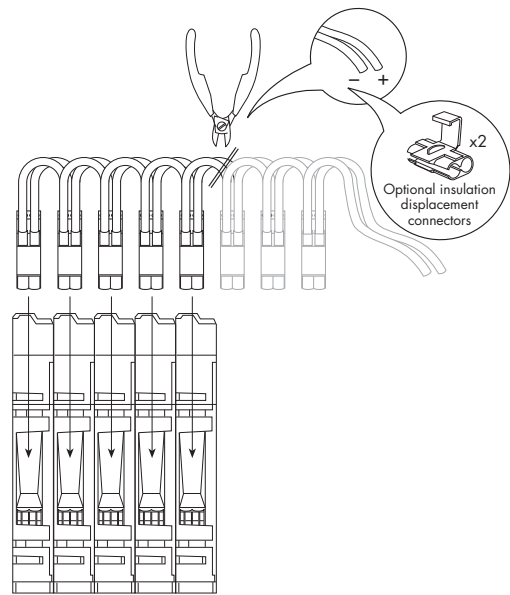
Max voltage drop on 32 modules drawing 130mA max :

0.5V

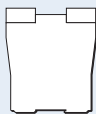
CHOOSING A POWERBUS

Choose a powerbus where the number of power plugs is greater than or equal to the number of isolators to be powered and if necessary cut the powerbus to the required number of terminations.

Note: To reduce the risk of excessive voltage drop or overcurrent do not connect powerbuses in series.



ORDERING INFORMATION



MTL5500 Series isolators

Specify part number: eg, **MTL5511**

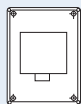
Mounting accessories

THR2	1m length of DIN rail to EN 50022; BS 5584; DIN 46277
MS010	DIN-rail module spacer, 10mm (pack of 5)

Earth-rail and tag strip accessories

IMB57	Insulating mounting block
ERB57S	Earth-rail bracket, straight
ERL7	Earth-rail, 1m length
ETM7	Earth terminal, bag of 50
TAG57	Tagging strip, 1m length
TGL57	Tagging strip labels, set of 10 x 0.5m

Enclosures



DX070	Enclosure for MTL5500 x 4
DX170	Enclosure for MTL5500 x 10
DX430	Enclosure for MTL5500 x 26

Individual isolator identification

TH5000	Tag holder (Pack of 20)
---------------	-------------------------

Connectors

HAZ1-3	Hazardous-area plug, terminals 1, 2 and 3
HAZ4-6	Hazardous-area plug, terminals 4, 5 and 6
HAZ-CJC	Hazardous-area plug, terminals 1 and 3 with cold-junction sensor
PWR5000	Power connector, terminals 13 and 14
SAF7-9	Safe-area plug, terminals 7, 8 and 9
SAF10-12	Safe-area plug, terminals 10, 11 and 12
PB-8T	Powerbus Kit for up to 8 isolators
PB-16T	Powerbus Kit for up to 16 isolators
PB-24T	Powerbus Kit for up to 24 isolators
PB-32T	Powerbus Kit for up to 32 isolators

Literature

INM5500	MTL5500 Series instruction manual
----------------	-----------------------------------

Configurator (MTL5575)

PCL45USB	Configurator, PC software and interface
-----------------	---

